

|             |     |      |        |
|-------------|-----|------|--------|
| Version     | 2.0 | Date | 8/9/18 |
| Prepared By | JC  |      |        |

**PRODUCT SPECIFICATION**

|                      |                    |
|----------------------|--------------------|
| <b>Category</b>      | Slim Canopy        |
| <b>Item Number</b>   | 7499               |
| <b>Stock Code</b>    | LED-FXSCM59/40K/WH |
| <b>Mounting</b>      | Ceiling            |
| <b>Housing Color</b> | White              |



| ELECTRICAL CHARACTERISTICS |          |                         |       |
|----------------------------|----------|-------------------------|-------|
| Rated Wattage (W)          | 59       | Replacement Wattage (W) | 250   |
| Tested Wattage (W)         | 57.4     |                         |       |
| Input Voltage (V)          | 120-277V | Surge Protect Level     | 2KV   |
| Voltage Frequency (Hz)     | 50/60    | Dimmable                | 1-10V |
| Input Current (A)          | 0.49     | AUX (12V) Line          | -     |
| Power Factor               | >0.9     |                         |       |
| THD                        | <20%     |                         |       |

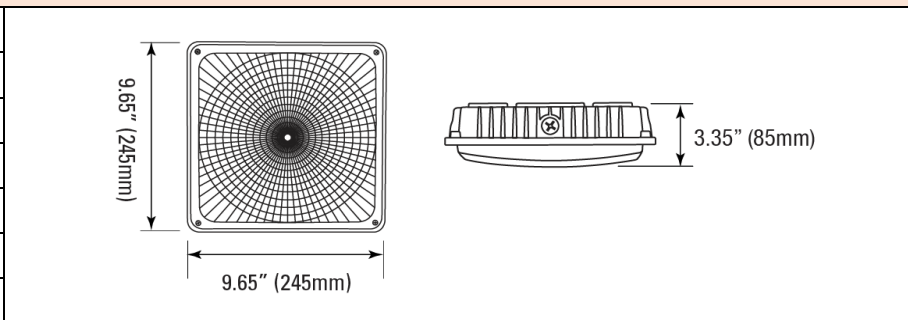
| PHOTOMETRIC CHARACTERISTICS |       |                |       |
|-----------------------------|-------|----------------|-------|
| Lumen (lm)                  | 7,795 | CCT (K)        | 4000K |
| Efficacy (lm/w)             | 136   | Beam Angle (°) | 160°  |
| CRI                         | >80   |                |       |

| GENERAL CHARACTERISTICS    |               |
|----------------------------|---------------|
| Operating Temperature (°F) | -22°F ~ 131°F |
| Storage Temperature (°F)   | -40°F ~ 140°F |
| IP Rating                  | IP65          |
| Rated Life (Hrs)           | 50,000        |
| Warranty (Yrs)             | 5             |

| ACCESSORIES |              |               |
|-------------|--------------|---------------|
| Item #      | Stock Code   | Description   |
| P10234      | SEN-MC605V-D | Motion Sensor |
|             |              |               |
|             |              |               |
|             |              |               |

**PRODUCT DIMENSIONS**

|                      |           |
|----------------------|-----------|
| Width- in / (mm)     | 9.65" 245 |
| Height- in / (mm)    | 3.35" 85  |
| Depth- in / (mm)     | 9.65" 245 |
| EPA (ft²)            | -         |
| Weight (lbs)         | 5.1       |
| Mounting Height (ft) | -         |
| Cable Length (ft)    | -         |



| CERTIFICATIONS     |             |      |   |
|--------------------|-------------|------|---|
| UL/ETL             | ETL         | CEC  |   |
| NSF/ETL Sanitation |             | JA8  |   |
| Energy Star        |             | FCC  | ✓ |
| DLC                | 5.1 Premium | RoHs | ✓ |

| DOCUMENTS |   |             |   |
|-----------|---|-------------|---|
| LM79      | ✓ | IES File    | ✓ |
| LM80      | ✓ | Dimmer List |   |
|           |   |             |   |

**COMMENTS**

|  |
|--|
|  |
|--|